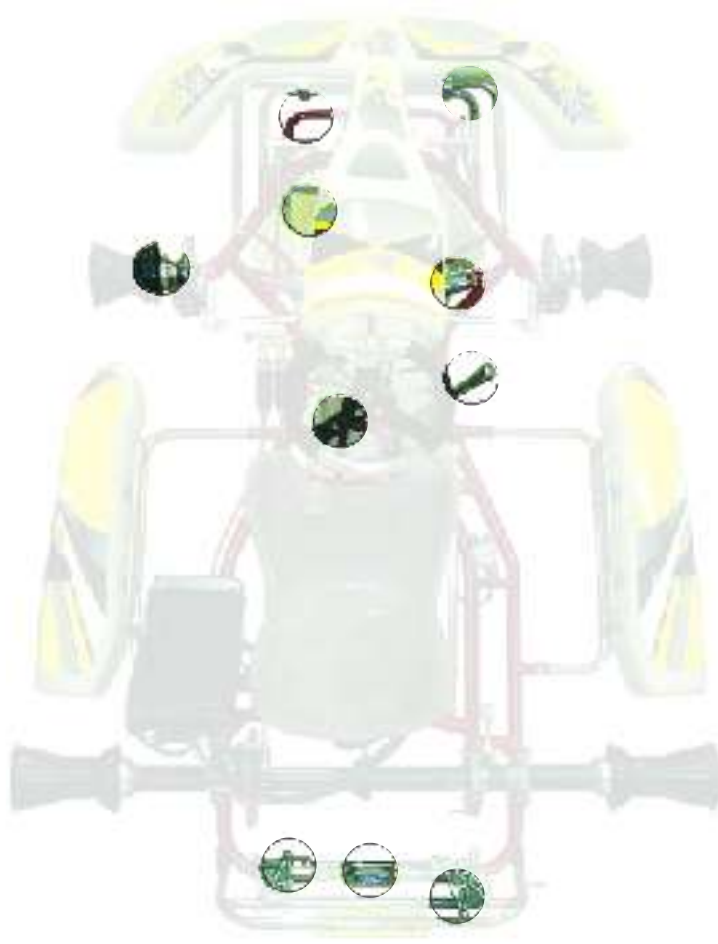


Volanti e accessori  
 Mozzi volante  
 Leve frizioni e accessori  
 Pianconi sterzo e accessori  
 Braccetti sterzo e accessori  
 Fuselli 100 125 indoor  
 Fuselli e accessori  
 Pedali e accessori  
 Leve cambio e accessori  
 Pianali  
 Paraurti e barre cik  
 Paraurti e accessori  
 Barre cik antinfrusione  
 Barre di torsione  
 Fascette in alluminio per barre  
 Volants et accessoires  
 Moyeux volant  
 Leviers d'embrayage & accessoires  
 Colonnes de direction & accessoires  
 Bielettes & accessoires  
 Fusées 100cc, 125cc et de location  
 Fusées et accessoires  
 Pédales et accessoires  
 Leviers de vitesse et accessoires  
 Planchers  
 Pare-chocs et barres CIK  
 Pare-chocs et accessoires  
 Barres CIK  
 Barres de torsion  
 Brides en aluminium pour barres



Steering wheel & accessories  
 Steering hubs  
 Clutch levers & accessories  
 Steering columns & accessories  
 Steering tie rods & accessories  
 Stub axles 100cc, 125cc & Indoor  
 Stub axles & accessories  
 Pedals & accessories  
 Gear levers & accessories  
 Floor trays  
 Bumpers & CIK bars  
 Bumpers & accessories  
 CIK bars  
 Torsion bars  
 Aluminium clamps for bars  
 Lenkrad und Zubehör  
 Lenkradaufnahme  
 Kupplungshebel und Zubehör  
 Lenksäule und Zubehör  
 Spurstangen und Zubehör  
 Achsschenkel 100cc, 125cc und Indoor  
 Achsschenkel und Zubehör  
 Pedale und Zubehör  
 Schalthebel und Zubehör  
 Bodenblech  
 Stoßstange und Unterfahrtschultz  
 Stoßstange und Zubehör  
 Unterfahrtschultz  
 Stabilisatoren  
 Klemme für Stabilisatoren









1



2

**UNIPRO**  
3004A BASIC



3

**UNIPRO**  
3004A SPEED



4

**UNIPRO**  
5004A BASIC



5

**UNIPRO**  
5004A SPEED



6

**UNIPRO**  
5004A WATER



7

**UNIPRO**  
5004A BIG



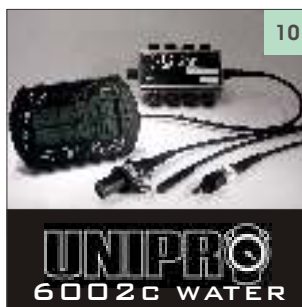
8

**UNIPRO**  
6002C BASIC



9

**UNIPRO**  
6002C SPEED



10

**UNIPRO**  
6002C WATER



11

**UNIPRO**  
6002C BIG



12



13



14



15



16



17



18



19



20



21



22



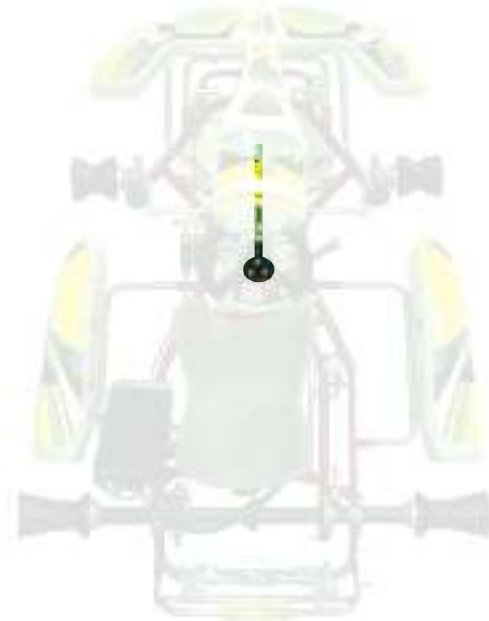
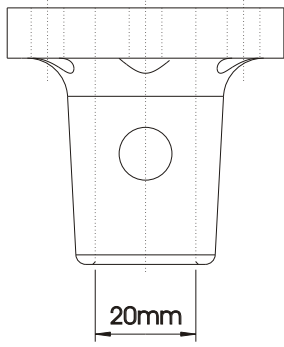
23



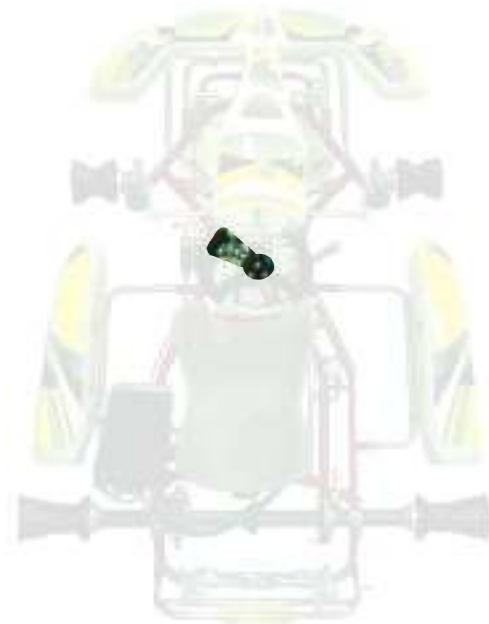
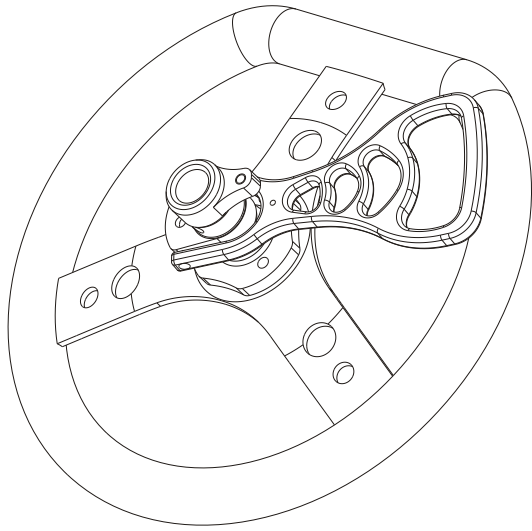
N°	Codice Code Code Kode	Modello Model Modèle Modell	Packing list
1	20VUNIPRO	Steering wheel	1
2	30KU3004ABA	3004A Basic kit *	1
3	30KU3004ASP	3004A Speed kit *	1
4	30KU5004ABA	5004A Basic kit *	1
5	30KU5004ASP	5004A Speed kit *	1
6	30KU5004AWA	5004A Water kit *	1
7	30KU5004ABI	5004A Big kit *	1
8	30KU6002CBA	6002A Basic kit *	1
9	30KU6002CSP	6002A Speed kit *	1
10	30KU6002CWA	6002A Water kit *	1
11	30KU6002CBI	6002A Big kit *	1

\* Basic kit = incl. receiver, and RPM sensor  
 \* Water kit = incl. receiver, RPM sensor and water temperature sensor  
 \* Speed kit = incl. receiver, RPM sensor and speed kit  
 \* Big kit = incl. receiver, RPM sensor, speed kit and water temperature sensor

N°	Codice Code Code Kode	Modello Model Modèle Modell	Packing list
12	20VUNDISP	Extra 3004A display unit, standard	1
12	20VUNDISPR	Extra 5004/6002 display unit, standard	1
13	20VUNTRAS	IR trasmitter + IR receiver	1
14	20VUNIPRI	Printer DPU-3445	1
15	20VUNDIDAT	Data analyser	1
16	20VUNLREC	Magnetic receiver	1
17	20VUNIRPM	RPM sensor	1
18	20VUNTJUN	T-junction	1
19	20VUNUSB	USB cable for 6002	1
20	20VUNCYHE	Cylinder head sensor low	1
20	20VUNCYHD	Cylinder head sensor high	1
21	20VUNTEMP	Water sensor	1
22	20VUNEXSE	Exhaust sensor incl. fittings for 6002C	1
23	20VUNSPEED	Speed kit for front wheel complete	1
23	20VUNSPEEDR	50 mm speed kit for rear wheel complete	1



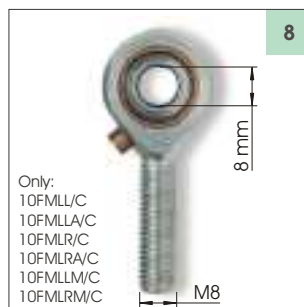
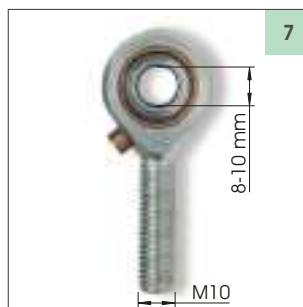
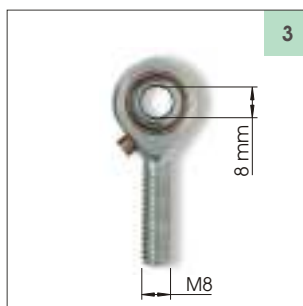
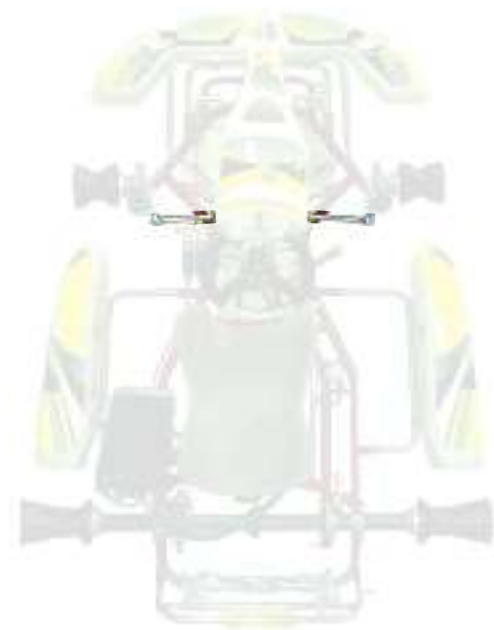
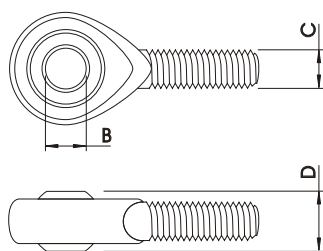
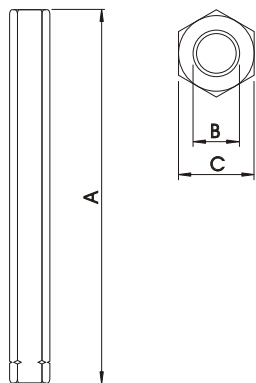
N°	Codice Code Code	Colore titanio Titanium colour Couleur titanium Farbe titanium	Colore nero Black colour Couleur noir Farbe schwarz	Colore oro Gold colour Couleur or Farbe gold	Colore rosso Red colour Couleur rouge Farbe rot	Packing list
1	10MZV100/T	10MZV100/T	10MZV100/B	10MZV100/G	10MZV100/R	1
2	10MZV100/T	10MZV100/T	10MZV100/B	10MZV100/G	10MZV100/R	1
3	10MZV125/T	10MZV125/T	10MZV125/B	10MZV125/G	10MZV125/R	1
4	20SUP2B	-	-	-	-	1
5	20SUP1B	-	-	-	-	1
6	30ANP/T	30ANP/T	30ANP/B	30ANP/G	30ANP/R	2
7	20UBP08	-	-	-	-	1
8	20UBP10	-	-	-	-	1
9	20UB10R2	-	-	-	-	1
10	20SGR22	-	-	-	-	1
11	20DATB08L	-	-	-	-	1
12	20DATB10L	-	-	-	-	1



N°	Codice Code Code Code	Colore titanio Titanium colour Couleur titanium Farbe titanium	Colore nero Black colour Couleur noir Farbe schwarz	Colore oro Gold colour Couleur or Farbe gold	Colore rosso Red colour Couleur rouge Farbe rot	Packing list
1	10MZV125/T	10MZV125/T	10MZV125/B	10MZV125/G	10MZV125/R	1
2	10MZV125/T	10MZV125/T	10MZV125/B	10MZV125/G	10MZV125/R	1
3	10FRZLA/T	10FRZLA/T	10FRZLA/B	10FRZLA/G	10FRZLA/R	1
4	10FRZL	-	-	-	-	1
5	20REG06	-	-	-	-	1
6	20VC06060	-	-	-	-	1
7	20R06	-	-	-	-	2
8	20DATB06L	-	-	-	-	1
9	30MZV125CM/T	30MZV125CM/T	30MZV125CM/B	30MZV125CM/G	30MZV125CM/R	1
10	30MZV125C/T	30MZV125C/T	30MZV125C/B	30MZV125C/G	30MZV125C/R	1





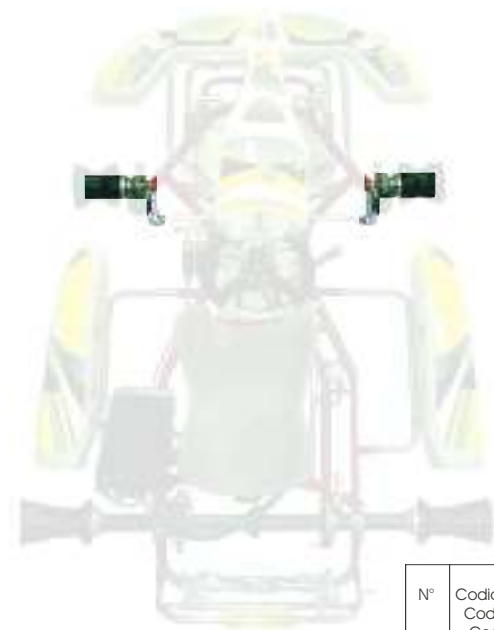
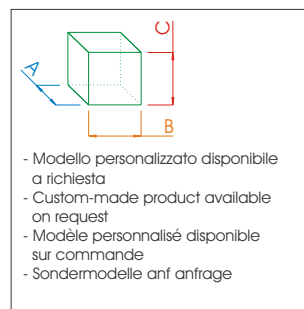
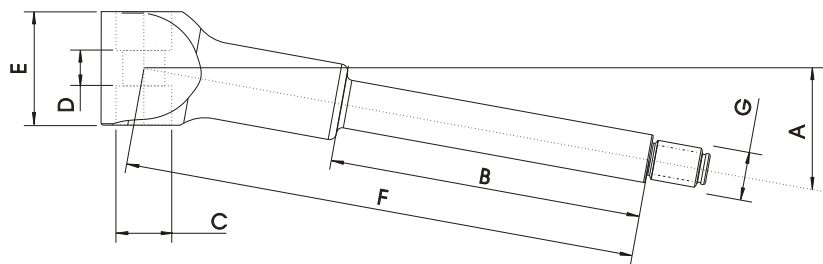


Only:  
 10FMLL/C  
 10FMLL/A/C  
 10FMLR/C  
 10FMLR/A/C  
 10FMLLM/C  
 10FMLRM/C

N°	Codice Code Code	Colore titanio Colour titanium Couleur titanium Farbe titanium	Colore nero Colour black Couleur noir Farbe schwarz	Colore oro Colour gold Couleur or Farbe gold	Colore rosso Colour red Couleur rouge Farbe rot	A - B - C mm	Packing list
1	20BC210/T	20BC210/T	20BC210/B	20BC210/G	20BC210/R	210 - M8 - 13	2
1	20BC225/T	20BC225/T	20BC225/B	20BC225/G	20BC225/R	225 - M8 - 13	2
1	20BC260/T	20BC260/T	20BC260/B	20BC260/G	20BC260/R	260 - M8 - 13	2
1	20BC265/T	20BC265/T	20BC265/B	20BC265/G	20BC265/R	265 - M8 - 13	2
1	20BC275/T	20BC275/T	20BC275/B	20BC275/G	20BC275/R	275 - M8 - 13	2
1	10CMBA/T	10CMBA/T	10CMBA/B	10CMBA/G	10CMBA/R	495 - M8 - 13	1
1	10CMBA1/T	10CMBA1/T	10CMBA1/B	10CMBA1/G	10CMBA1/R	460 - M8 - 13	1
4	20BC230I	-	-	-	-	230 - M10 - 20	2
4	20BC260I	-	-	-	-	260 - M10 - 20	2
5	20BC230I8	-	-	-	-	230 - M8 - 20	2
5	20BC260I8	-	-	-	-	260 - M8 - 20	2

N°	Codice Code Code	Codice sinistro Code left Code gauche Code link	Codice destro Code right Code droit Code recht	B mm	C	D mm	Packing list
2	20DSTD08	20DSTD08L	20DSTD08	M 8	-	8	2
3	20UB08L	20UB08L	20UB08R	8	M 8	12	2
6	20DSTD10	20DSTD10L	20DSTD10	M 10	-	6	2
7	20UB10L	20UB10L	20UB10R	8	M 10	12	2
7	20UB10L2	20UB10L2	20UB10R2	10	M 10	14	2
8	20UB08MR	20UB08ML	20UB08MR	8	M 8	8	2



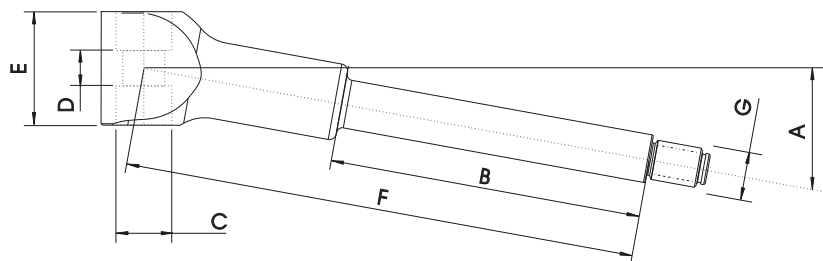


N°	Codice cromato Code chromed Code chromé Kode chrom	Nero Black Noir Schwarz	Oro Gold Or Gold	Modello Model Modèle Modell	A	B mm	C mm	D mm	E mm	F mm	G mm	*	Packing list
1	10FBSL/C	10FBSL/B	10FBSL/G	100cc	10.5°	75	27	12	40	130	17	-	1
2	10FBSR/C	10FBSR/B	10FBSR/G	100cc	10.5°	75	27	12	40	130	17	-	1
1	10FBSL2/C	-	-	100cc	12°	75	27	12	40	130	17	-	1
2	10FBSR2/C	-	-	100cc	12°	75	27	12	40	130	17	-	1
1	10FBLL/C	10FBLL/B	10FBLL/G	100cc	10.5°	110	27	12	40	180	17	-	1
2	10FBLR/C	10FBLR/B	10FBLR/G	100cc	10.5°	110	27	12	40	180	17	-	1
1	10FBLL2/C	-	-	100cc	12°	110	27	12	40	180	17	-	1
2	10FBLR2/C	-	-	100cc	12°	110	27	12	40	180	17	-	1
3	10FBAL/C	10FBAL/B	10FBAL/G	125cc	10.5°	75	27	12	40	130	17	A*	1
4	10FBAR/C	10FBAR/B	10FBAR/G	125cc	10.5°	75	27	12	40	130	17	A*	1
3	10FBEL/C	10FBEL/B	10FBEL/G	125cc	10.5°	75	27	12	40	130	17	E*	1
4	10FBER/C	10FBER/B	10FBER/G	125cc	10.5°	75	27	12	40	130	17	E*	1
3	10FBAL2/C	-	-	125cc	12°	75	27	12	40	130	17	A*	1
4	10FBAR2/C	-	-	125cc	12°	75	27	12	40	130	17	A*	1
3	10FBAL4/C	-	-	125cc	12°	75	27	12	40	130	17	E*	1
4	10FBSR4/C	-	-	125cc	12°	75	27	12	40	130	17	E*	1
5	20BF2004	-	-	-	-	-	16,5	3	5	-	-	M*	4
6	10FMLL/C	-	-	100cc	10.5°	98	22	12	40	166	17	-	1
7	10FMLR/C	-	-	100cc	10.5°	98	22	12	40	166	17	-	1
6	10FMLLA/C	-	-	100cc	12°	98	22	12	40	166	17	-	1
7	10FMLRA/C	-	-	100cc	12°	98	22	12	40	166	17	-	1
6	10FMLLM/C	-	-	100cc - MINI	10.5°	75	22	12	40	130	17	-	1
7	10FMLRM/C	-	-	100cc - MINI	10.5°	75	22	12	40	130	17	-	1

E\* = Eurostar

A\* = AP-Race

M\* = 10FMLL/C - 10FMLLA/C - 10FMLR/C - 10FMLRA/C - 10FMLLM/C - 10FMLRM/C



**SALDATO  
WELDING  
SUDÉE** 1



100cc - MINI - LEFT

**SALDATO  
WELDING  
SUDÉE** 2

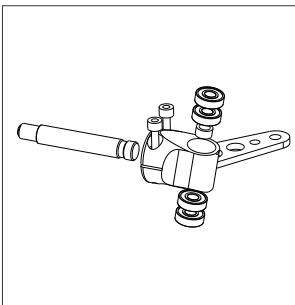


100cc - MINI - RIGHT

3



INDOOR - LEFT



4

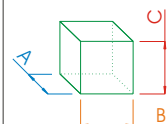


INDOOR - RIGHT

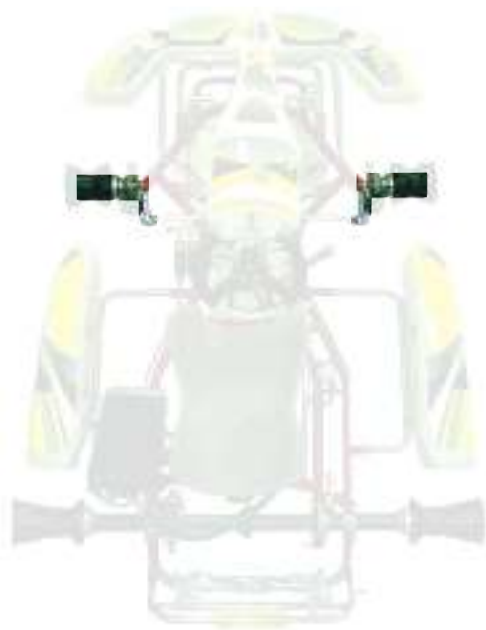
5



6

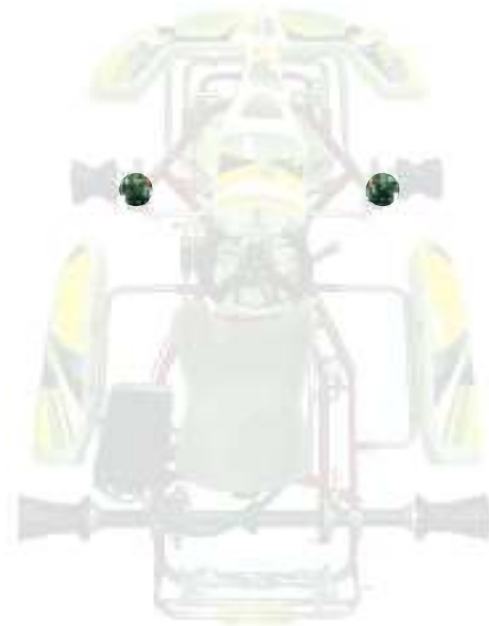
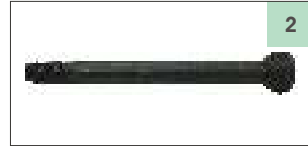
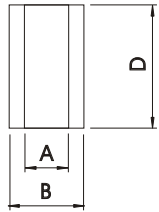
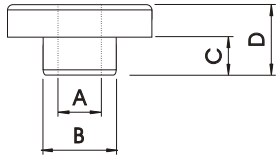
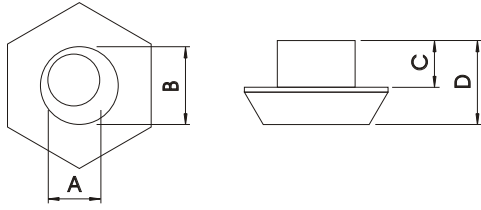


- Modello personalizzato disponibile a richiesta  
- Custom-made product available on request  
- Modèle personnalisé disponible sur commande  
- Sondermodelle anfr anfrage

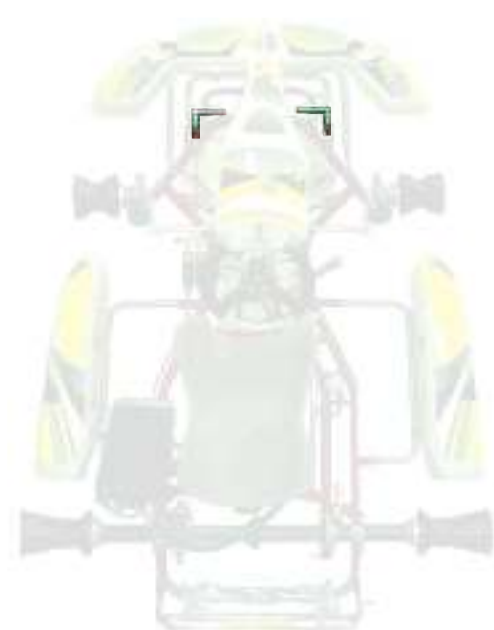


N°	Codice cromato Code chromé Kode chrom	Nero Black Noir Schwarz	Oro Gold Or Gold	A	B mm	C mm	D mm	E mm	F mm	G mm	Packing list
1	10FSSL1/C	-	-	10.5°	92	22	24	38	142	17	1
2	10FSSR1/C	-	-	10.5°	92	22	24	38	142	17	1
1	10FSSL3/C	-	-	12°	92	22	24	38	142	17	1
2	10FSSR3/C	-	-	12°	92	22	24	38	142	17	1
1	10FSSL1/C	-	-	10.5°	98	25	24	38	166	17	1
2	10FSLR1/C	-	-	10.5°	98	25	24	38	166	17	1
1	10FSSL3/C	-	-	12°	98	25	24	38	166	17	1
2	10FSLR3/C	-	-	12°	98	25	24	38	166	17	1
1	10FSSL/C	10FSSL/B	10FBSL/G	10.5°	98	22	12	40	142	17	1
2	10FSSR/C	10FSSR/B	10FBSR/G	10.5°	98	22	12	40	142	17	1
1	10FSSL2/C	-	-	12°	92	22	12	40	142	17	1
2	10FSSR2/C	-	-	12°	92	22	12	40	142	17	1
1	10FSSL/C	10FSSL/B	10FSSL/G	10.5°	98	22	12	40	166	17	1
2	10FSLR/C	10FSLR/B	10FSLR/G	10.5°	98	22	12	40	166	17	1
1	10FSSL2/C	-	-	12°	98	22	12	40	166	17	1
2	10FSLR2/C	-	-	12°	98	22	12	40	166	17	1
3	10FC17L	-	-	10.5°	90	26	8	40	140	17	1
3	10FC20L	-	-	10.5°	100	26	8	40	140	20	1
4	10FC17R	-	-	10.5°	90	26	8	40	140	17	1
4	10FC20R	-	-	10.5°	100	26	8	40	140	20	1
5	10PRF17	-	-	-	79	-	-	-	-	17	2
5	10PRF17BAS	-	-	-	92	-	-	-	-	17	2
5	10PRF20	-	-	-	67	-	-	-	-	20	2

N°	Codice Code Code Kode	Colore titanio Colour titanium Couleur titanium Farbe titanium	Colore nero Colour black Couleur noir Farbe schwarz	Colore oro Colour gold Couleur or Farbe gold	Colore rosso Colour red Couleur rouge Farbe rot	Alluminio Aluminium Aluminium Aluminium	A Ø	B Ø	C H mm	Packing list
6	10SPF05/T	10SPF05/T	10SPF05/B	10SPF05/G	10SPF05/R	10SPF05	17 mm	23 mm	5	4
6	10SPF10/T	10SPF10/T	10SPF10/B	10SPF10/G	10SPF10/R	10SPF10	17 mm	23 mm	10	4
6	10SPF20/T	10SPF20/T	10SPF20/B	10SPF20/G	10SPF20/R	10SPF20	17 mm	23 mm	20	2
6	10SPF0520/T	10SPF0520/T	10SPF0520/B	10SPF0520/G	10SPF0520/R	10SPF0520	20 mm	26 mm	5	4
6	10SPF1020/T	10SPF1020/T	10SPF1020/B	10SPF1020/G	10SPF1020/R	10SPF1020	20 mm	26 mm	10	4
6	10SPF2020/T	10SPF2020/T	10SPF2020/B	10SPF2020/G	10SPF2020/R	10SPF2020	20 mm	26 mm	20	2

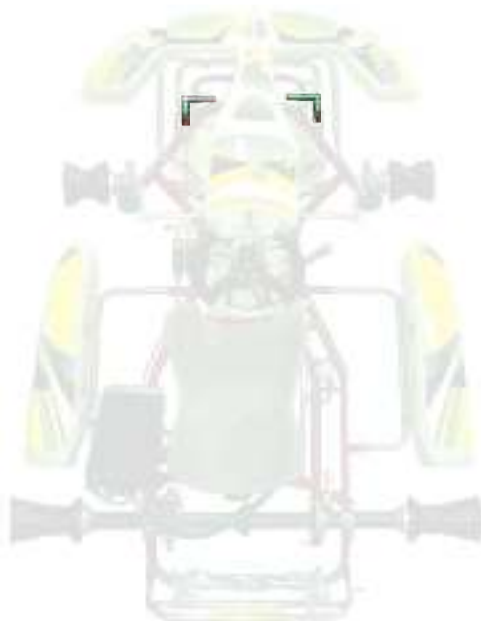
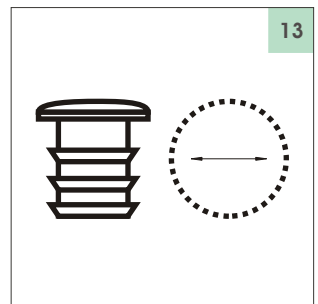


N°	Codice Code Code Kode	A Ø	B Ø	C H mm	D H mm	Gradi Degrees Degrés Grad	Packing list
1	20VTF08	M 8	-	90	-	-	2
2	20VTF08S	M 8	-	95	-	-	2
3	20RFEA	M 8	12	5,5	11	1°	2
3	20RFEI	M 8	12	5,5	11	1,5°	2
3	20RFEB	M 8	14	5,5	11	1°	2
3	20RFEIS	M 8	14	5,5	11	2,5°	2
3	20RFEC	M 10	14	5,5	11	1,5°	2
4	20RFESA	M 8	12	5,5	11	1°	2
4	20RFES	M 8	12	5,5	11	1,5°	2
4	20RFESSA	M 8	14	5,5	11	1°	2
4	20RFESS	M 8	14	5,5	11	2,5°	2
4	20RFESSB	M 10	14	5,5	11	1,5°	2
5	20RF05I	M 8	22	7,5	12	0°	2
6	20RF05SB	M 8	22	7,5	12	3°	2
6	20RF05S	M 8	22	7,5	12	0°	2
7	20RF05AS	M 8	22	7,5	12	3°	2
8	20DBR08	M 8	20	1	3,3	-	4
8	20R08205	M 8	20	1	5	-	4
8	20R08207	M 8	20	1	7,2	-	4
8	20R08209	M 8	20	1	9	-	4
8	20R0824	M 8	24	-	2	-	4
9	20BFC08	M 8	12	5,5	7,3	-	4
9	20BFC10	M 10	12	5,5	7,3	-	4
9	20BFC0814	M 8	14	5,5	7,3	-	4
10	20BF10	M 8	12	-	10	-	2
10	20BF12	M 8	12	-	12	-	2
10	20BF24	M 8	12	-	24	-	2
10	20BF26	M 8	12	-	26	-	2
10	20BF26C	M 8	12	-	26	-	2
10	20BF8I	M 10	16	-	8	-	2
11	20BRF08	M 8	22	-	7	-	8
11	20BRF10	M 10	26	-	8	-	8
12	20DATB14L	M 14	-	-	-	-	2
13	20VTF5F	M 8	16	-	-	-	2

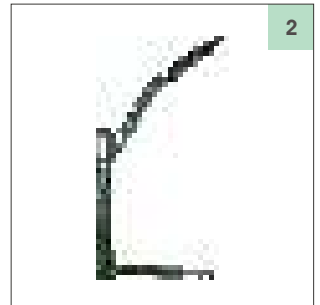
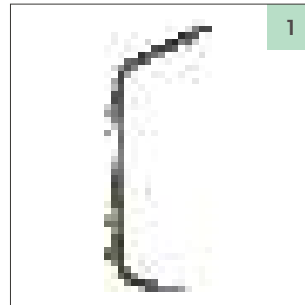


N°	Code Code Code Kode	Colore titanio Titanium colour Couleur titanium Farbe titanium	Colore nero Black colour Couleur noir Farbe schwarz	Colore oro Gold colour Couleur or Farbe gold	Colore rosso Red colour Couleur rouge Farbe rot	Modello Model Modèle Modell	Packing list
1	10PDRI	-	-	-	-	INDOOR	2
2	10PDI	-	-	-	-	INDOOR	2
3	10PDFAMK	-	-	-	-	BABY - MINI	1
4	10PDFFMK	-	-	-	-	BABY - MINI	1
5	30PDAFMK/T	30PDAFMK/T	30PDAFMK/B	30PDAFMK/G	30PDAFMK/R	BABY - MINI	1
6	30PDAAMK/T	30PDAAMK/T	30PDAAMK/B	30PDAAMK/G	30PDAAMK/R	BABY - MINI	1
7	10PDFF	-	-	-	-	100 - 125	1
8	10PDFA	-	-	-	-	100 - 125	1
9	30PDAF/T	30PDAF/T	30PDAF/B	30PDAF/G	30PDAF/R	100 - 125	1
10	30PDA/T	30PDA/T	30PDA/B	30PDA/G	30PDA/R	100 - 125	1
11	30PDASMK/T*	30PDASMK/T*	30PDASMK/B*	30PDASMK/G*	30PDASMK/R*	BABY - MINI	1
11	30PDAS/T**	30PDAS/T**	30PDAS/B**	30PDAS/G**	30PDAS/R**	100 - 125	1

\* = 30PDAFMK/T + 30PDAAMK/T  
 \*\* = 30PDAF/T + 30PDA/T

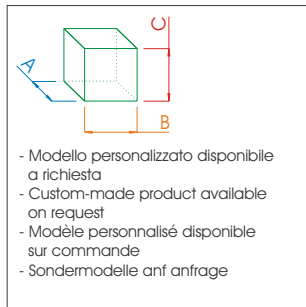
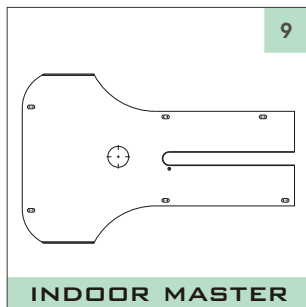
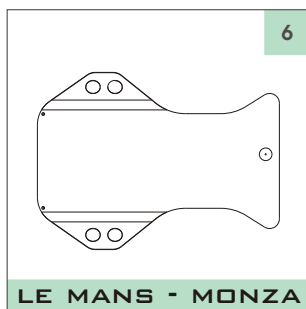
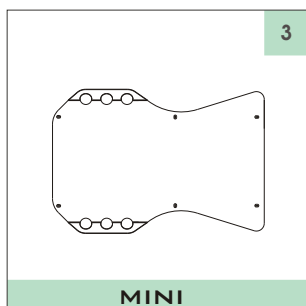
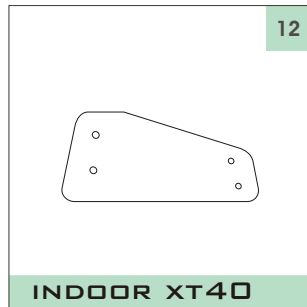
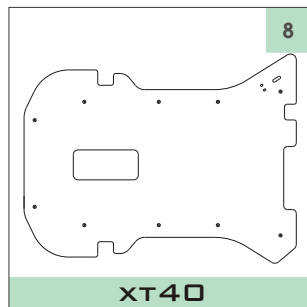
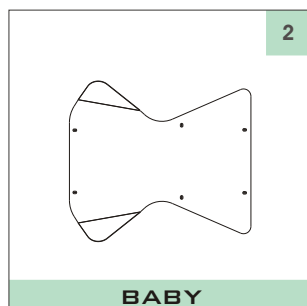
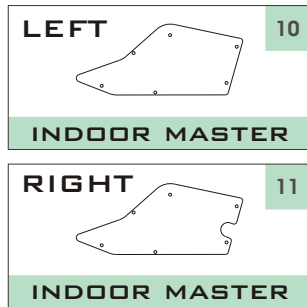
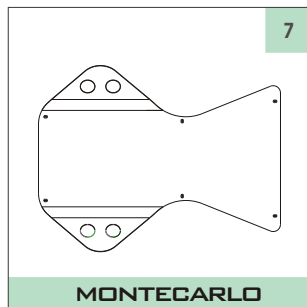
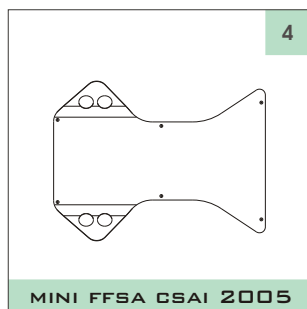
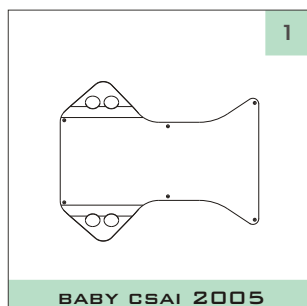
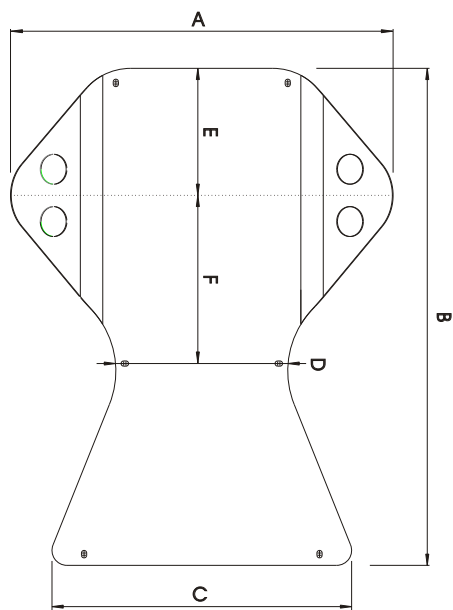


N°	Codice Code Kode	Colore titanio Titanium colour Couleur titanium Farbe titanium	Colore nero Black colour Couleur noir Farbe schwarz	Colore oro Gold colour Couleur or Farbe gold	Colore rosso Red colour Couleur rouge Farbe rot	Ø mm	L mm	Packing list
1	20RL10	-	-	-	-	M8	1	4
2	20RL25	-	-	-	-	M8	2,5	4
3	20GB08	-	-	-	-	M8	2	4
4	20BUXPD	-	-	-	-	M8	-	2
5	20BCR08	-	-	-	-	M8	-	2
6	20MPD	-	-	-	-	-	70	2
7	20CEP	-	-	-	-	M6	-	2
8	20UB06PD	-	-	-	-	M6	-	1
9	10PDPRN/T	10PDPRN/T	10PDPRN/B	10PDPRN/G	10PDPRN/R	M8	93	2
10	10FOPDS	-	-	-	-	-	180	2
10	10FOPD	-	-	-	-	-	200	2
11	20APPDB	-	-	-	-	-	-	2
12	20APPDB2	-	-	-	-	-	-	2
13	20TCTC14	-	-	-	-	14	-	2

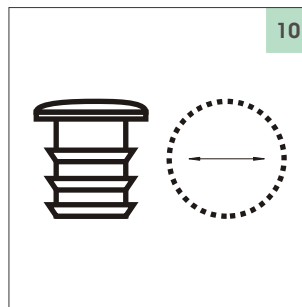
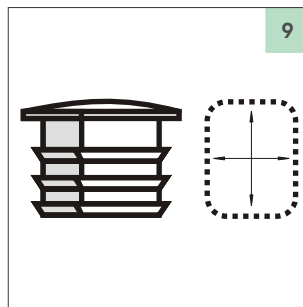
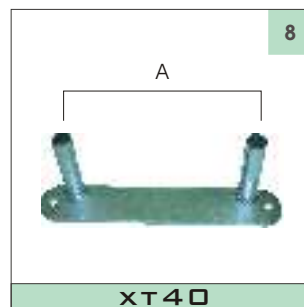
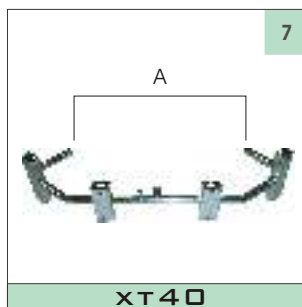
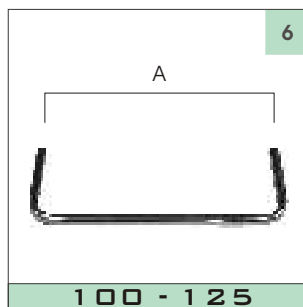
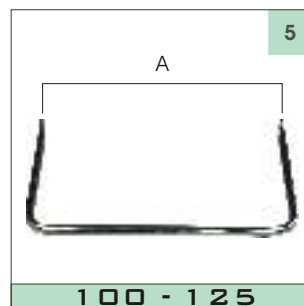
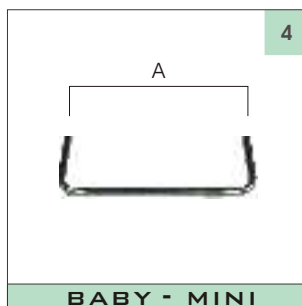
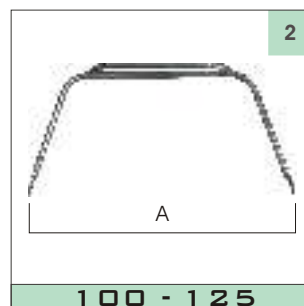


N°	Codice Code Code Kode	mm	Colore titanio Titanium colour Couleur titanium Farbe titanium	Colore nero Black colour Couleur noir Farbe schwarz	Colore oro Gold colour Couleur or Farbe gold	Colore rosso Red colour Couleur rouge Farbe rot	Packing list
1	10CMB	-	-	-	-	-	1
2	10CMBR	-	-	-	-	-	1
3	20BRF08	-	-	-	-	-	2
4	10CMBP/T	-	10CMBP/T	10CMBP/B	10CMBP/G	10CMBP/R	1
5	10CMBPS/T	-	10CMBPS/T	10CMBPS/B	10CMBPS/G	10CMBPS/R	1
6	10CMBPR/T	-	10CMBPR/T	10CMBPR/B	10CMBPR/G	10CMBPR/R	1
7	10CMBAT	495	10CMBAT	10CMBAB	10CMBAG	10CMBAR	1
7	10CMBAT/T	460	10CMBAT/T	10CMBAT/B	10CMBAT/G	10CMBAT/R	1
8	20DSTD08L	M8 left	-	-	-	-	1
9	20DSTD08R	M8 right	-	-	-	-	1
10	20UB08L	M8 left	-	-	-	-	1
11	20UB08R	M8 right	-	-	-	-	1

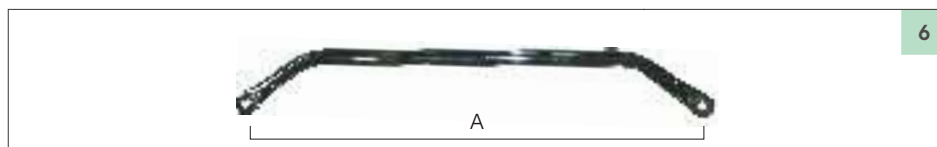
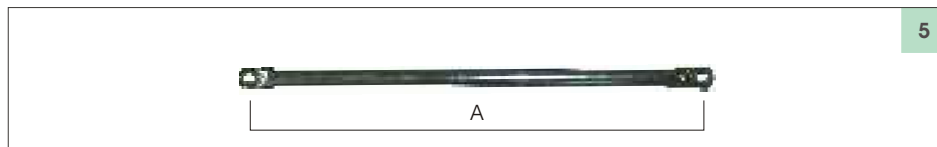
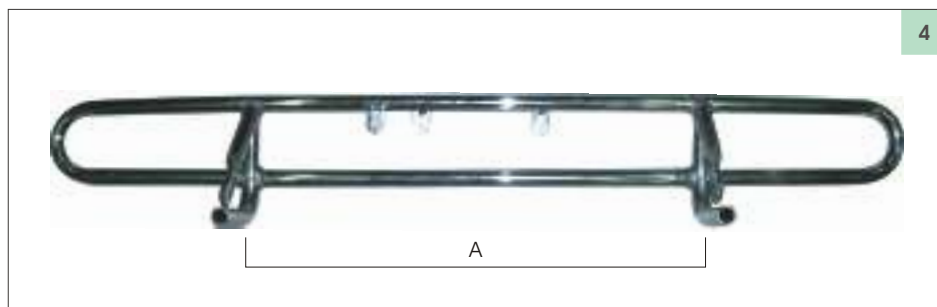
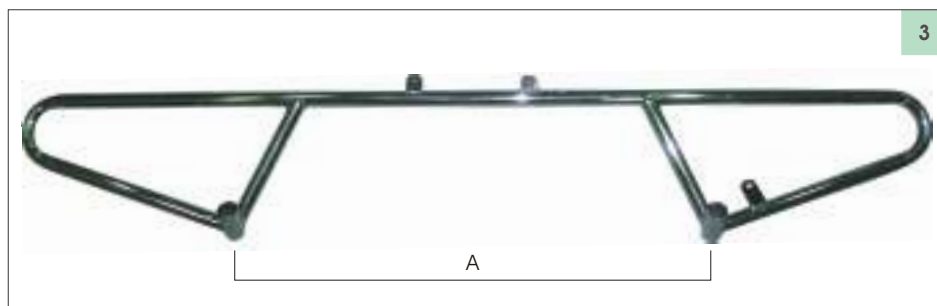
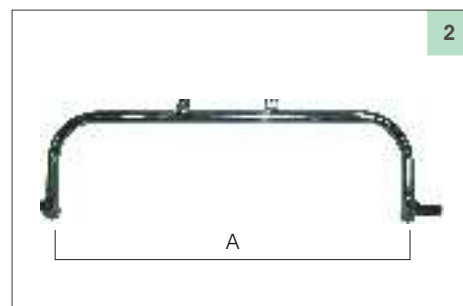
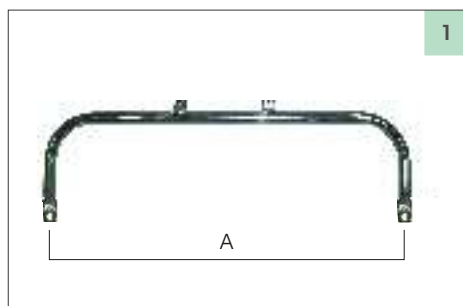




N°	Codice Code Code Kode	A mm	B mm	C mm	D mm	E mm	F mm	Colore alluminio Colour aluminum Couleur aluminium Farbe aluminium	Colore grigio Colour gray Couleur gris Farbe grau	Colore nero Colour black Couleur noir Farbe schwarz	Colore personalizzato Custom made colour Couleur personnalisée Farbe anfr antrag	Packing list
1	20FLBKFFSA/S	434	514	308	212	119	284	20FLBKFFSA	20FLBKFFSA/S	20FLBKFFSA/B	-	1
2	20FLBK/S	433	490	412	216	80	170	20FLBK	20FLBK/S	20FLBK/B	-	1
3	20FLMK/S	370	540	370	254	328	80	20FLMK	20FLMK/S	20FLMK/B	-	1
4	20FLMKFFSA/S	437	580	437	214	117	152	20FLMKFFSA	20FLMKFFSA/S	20FLMKFFSA/B	-	1
5	20FLMK101/S	430	590	430	260	112	220	20FLMK101	20FLMK101/S	20FLMK101/B	-	1
6	20FLLM/S	417	670	374	162	160	200	20FLLM	20FLLM/S	20FLLM/B	-	1
7	20FLMC/S	512	665	400	230	170	235	20FLMC	20FLMC/S	20FLMC/B	-	1
8	20FLIXT40/S	475	691	113	375	115	195	20FLIXT40	20FLIXT40/S	20FLIXT40/B	-	1
9	20FLI/S	365	587	204	204	80	207	20FLI	20FLI/S	20FLI/B	-	1
10	20FLIR	-	-	-	-	-	-	20FLIR	-	-	-	1
11	20FLIL	-	-	-	-	-	-	20FLIL	-	-	-	1
12	20FLCXT	-	-	-	-	-	-	20FLCXT	-	-	-	2

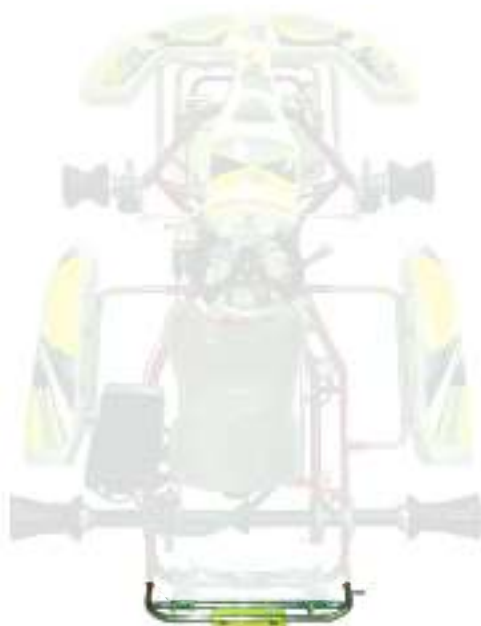
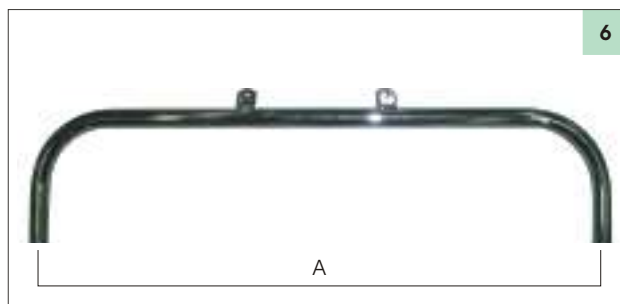
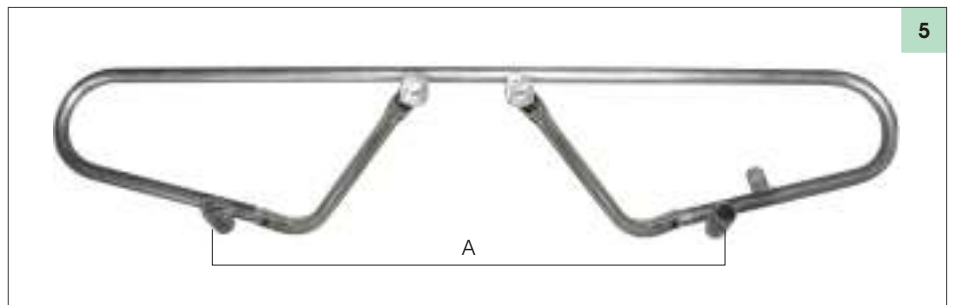
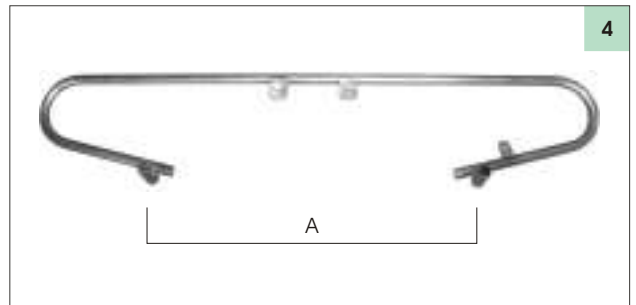


N°	Codice Code Code Kode	Modello Model Modèle Modell	A mm	Packing list
1	10ZFMK	Baby - Mini	500	1
2	10ZF02	100 cc - 125 cc	550	1
3	10ZFMBK	Baby - Mini 53/TB/09 - 54/TM/09	480	1
4	10ZFMK1	Baby - Mini 53/TB/09 - 54/TM/09	280	1
5	10ZFL08	100 cc - 125 cc	550	1
6	10ZFH08	100 cc - 125 cc	450	1
7	10ZFHXT	XT40	545	1
8	10ZFLXT	XT40	235	1
9	20TCT2020	-	20x20	1
9	20TCT2525	-	25x25	1
9	20TCT3020	-	30x20	1
9	20TCT4030	-	40x30	1
9	20TCT5030	-	50x30	1
10	20TCTC12	-	Ø12	1
10	20TCTC14	-	Ø14	1
10	20TCTC28	-	Ø28	1
10	20TCTC30	-	Ø30	1
10	20TCTC32	-	Ø32	1

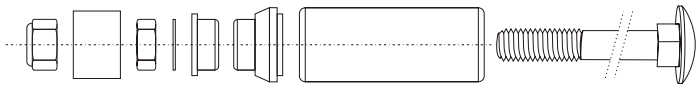


N°	Codice Code Code Kode	Modello Model Modèle Modell	A mm	Packing list
1	10ZRBK	Baby	540	1
2	10ZRMS580	Mini	580	1
2	10ZRS550	Mini Swezia	550	1
2	10ZR6155	100 cc - 125 cc	615	1
2	10ZR6305	100 cc - 125 cc	630	1
2	10ZR6705	100 cc - 125 cc	670	1
3	10ZRUK580	Mini	580	1
3	10ZRUK615	100 cc - 125 cc	615	1
3	10ZRUK630	100 cc - 125 cc	630	1
3	10ZRUK670	100 cc - 125 cc	670	1
4	10ZRUSBK	Baby	540	1
5	10CIK550	Mini Swezia	550	1
5	10CIK560	Baby - Mini CSAI 2005-9	560	1
5	10CIK580	100 cc - 125 cc	580	1
5	10CIK615	100 cc - 125 cc	615	1
5	10CIK630	100 cc - 125 cc	630	1
5	10CIK670	100 cc - 125 cc	670	1
6	10CIK615C	100 cc - 125 cc	615	1

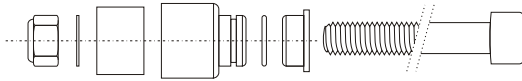
PARAURTI POSTERIORI / REAR BUMPERS  
 PARE-CHOCS ARRIÈRES / STÖßSTANGE HINTEN



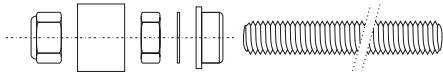
N°	Codice Code Code Kode	Colore titanio Titanium colour Couleur titanium Farbe titanium	Colore nero Black colour Couleur noir Farbe schwarz	Colore oro Gold colour Couleur or Farbe gold	Colore rosso Red colour Couleur rouge Farbe rot	Modello Model Modèle Modell	A mm	Packing list
1	10ZRBMT	-	-	-	-	Baby - Mini CSAI 2005-9	-	2
2	10ZRBMDX	-	-	-	-	Baby - Mini CSAI 2005-9	-	1
3	10ZRBMSX	-	-	-	-	Baby - Mini CSAI 2005-9	-	1
4	10ZRUK560	-	-	-	-	Baby - Mini CSAI 2005-9	560	1
5	30ZRUK560	-	-	-	-	Baby - Mini CSAI 2005-9	-	1
6	10ZR61515	-	-	-	-	100 cc - 125 cc	1,5 - 615	1
6	10ZR61520	-	-	-	-	100 cc - 125 cc	2 - 615	1
6	10ZR63015	-	-	-	-	100 cc - 125 cc	1,5 - 630	1
6	10ZR63020	-	-	-	-	100 cc - 125 cc	2 - 630	1
7	10ZRSUP/T	10ZRSUP/T	10ZRSUP/B	10ZRSUP/G	10ZRSUP/R	100 cc - 125 cc	-	2
8	10BCH28/T	10BCH28/T	10BCH28/B	10BCH28/G	10BCH28/R	100 cc - 125 cc	28	2
8	10BCH30/T	10BCH30/T	10BCH30/B	10BCH30/G	10BCH30/R	100 cc - 125 cc	30	2
8	10BCH32/T	10BCH32/T	10BCH32/B	10BCH32/G	10BCH32/R	100 cc - 125 cc	32	2



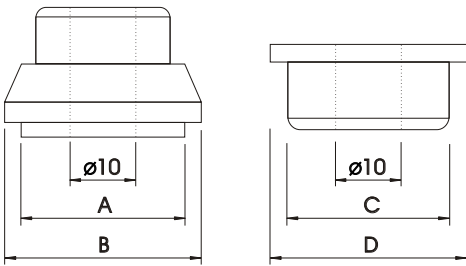
30PUS28/T - 30PUS30/T - 30PUS32/T



30KFBP/T



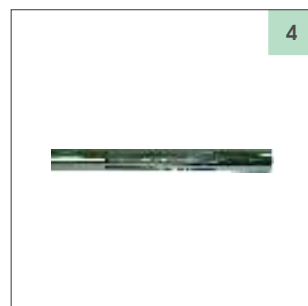
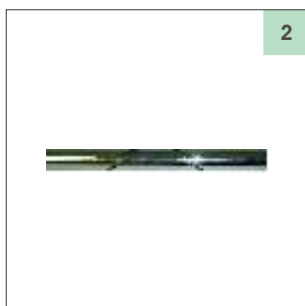
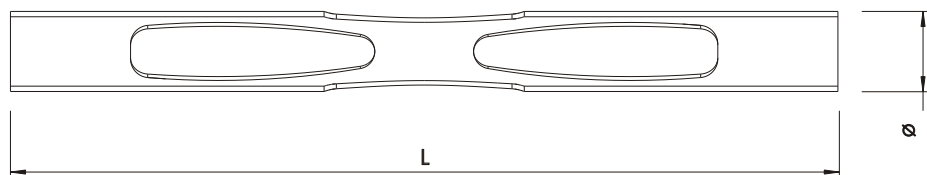
30PUS/T



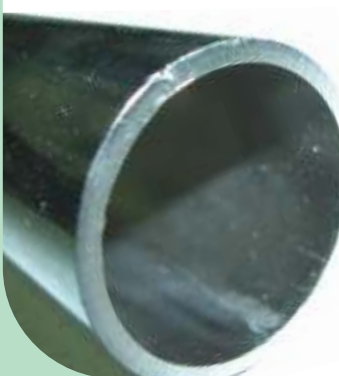
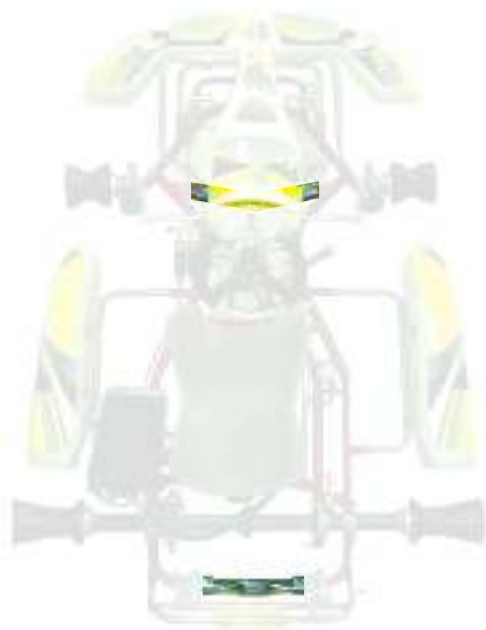
N°	Codice Code Code Kode	Colore titanio Titanium colour Couleur titanium Farbe titanium	Colore nero Black colour Couleur noir Farbe schwarz	Colore oro Gold colour Couleur or Farbe gold	Colore rosso Red colour Couleur rouge Farbe rot	Telaio Chassis Châssis Chassis	Packing list
-	30PUS28/T	30PUS28/T	30PUS28/B	30PUS28/G	30PUS28/R	Ø28	1
-	30PUS30/T	30PUS30/T	30PUS30/B	30PUS30/G	30PUS30/R	Ø30	1
-	30PUS32/T	30PUS32/T	30PUS32/B	30PUS32/G	30PUS32/R	Ø32	1
-	30PUS/T	30PUS/T	30PUS/B	30PUS/G	30PUS/R	-	1
-	30KFBP/T	30KFBP/T	30KFBP/B	30KFBP/G	30KFBP/R	-	1

N°	Codice Code Code Kode	Colore titanio Titanium colour Couleur titanium Farbe titanium	Colore nero Black colour Couleur noir Farbe schwarz	Colore oro Gold colour Couleur or Farbe gold	Colore rosso Red colour Couleur rouge Farbe blan	Colore blu Blue colour Couleur bleu Farbe blue	A - B mm	C - D mm	Ø - H mm	Packing list
1	20GMPU28	-	-	-	-	-	-	-	23 - 60	2
1	20GMPU30	-	-	-	-	-	-	-	25 - 60	2
1	20GMPU32	-	-	-	-	-	-	-	27 - 60	2
2	10BCDC1	-	-	-	-	-	-	-	-	2
3	20RGMPU	-	-	-	-	-	-	-	-	2
4	10BCH28/T	10BCH28/T	10BCH28/B	10BCH28/G	10BCH28/R	10BCH28/T	23.5 - 28	-	-	2
4	10BCH30/T	10BCH30/T	10BCH30/B	10BCH30/G	10BCH30/R	10BCH30/T	26.5 - 30	-	-	2
4	10BCH32/T	10BCH32/T	10BCH32/B	10BCH32/G	10BCH32/R	10BCH32/T	27.5 - 30	-	-	2
5	10BCS/T	10BCS/T	10BCS/B	10BCS/G	10BCS/R	10BCS/T	-	20.5 - 25	-	2
6	10BR10090	-	-	-	-	-	-	-	10 - 90	2
7	20VCO8075	-	-	-	-	-	-	-	8 - 75	2
8	20BZ10130	-	-	-	-	-	-	-	10 - 130	2
9	20ORPDC1	-	-	-	-	-	-	-	-	2
10	20R10	-	-	-	-	-	-	-	M10	2
11	20DSTD10	-	-	-	-	-	-	-	M10 - 8	2
12	20DATB10L	-	-	-	-	-	-	-	M10 - 6	2

**BARRE DI TORSIONE / TORSION BARS**  
**BARRES DE TORSION / STABILISATOREN**



- Modello personalizzato disponibile a richiesta
- Custom-made product available on request
- Modèle personnalisé disponible sur demande
- Angepasß Artikel vorhanden auf sein Ersuchen



N°	Code Code Code Kode	Anteriore Front Avant Vordere	Posteriori Rear Arrière Hintere	Ø - L mm	Colore titanio Titanium colour Couleur titanium Farbe titanium	Colore nero Black colour Couleur noir Farbe schwarz	Colore oro Gold colour Couleur or Farbe gold	Colore rosso Red colour Couleur rouge Farbe rot	Packing list
1	10BT30RS	-	10BT30RS	30 - 310	-	-	-	-	1
1	10BT32RS	-	10BT32RS	32 - 310	-	-	-	-	1
1	10BT30RL	-	10BT30RL	30 - 480	-	-	-	-	1
2	10BT30SB	-	10BT30SB	30 - 310	-	-	-	-	1
3	10BT30SC S	-	10BT30SC S	30 - 270	-	-	-	-	1
3	10BT30SC	-	10BT30SC	30 - 310	-	-	-	-	1
3	10BT32SC	-	10BT32SC	32 - 310	-	-	-	-	1
3	10BT30SL	-	10BT30SL	30 - 480	-	-	-	-	1
4	10BT30SA	-	10BT30SA	30 - 310	-	-	-	-	1
5	10BT30FS	10BT30FS	-	30 - 350	-	-	-	-	1
5	10BT30FL	10BT30FL	-	30 - 380	-	-	-	-	1
6	30FA28/T	-	-	28	30FA28/T	30FA28/B	30FA28/G	30FA28/R	1
6	30FA30/T	-	-	30	30FA30/T	30FA30/B	30FA30/G	30FA30/R	1
6	30FA32/T	-	-	32	30FA32/T	30FA32/B	30FA32/G	30FA32/R	1