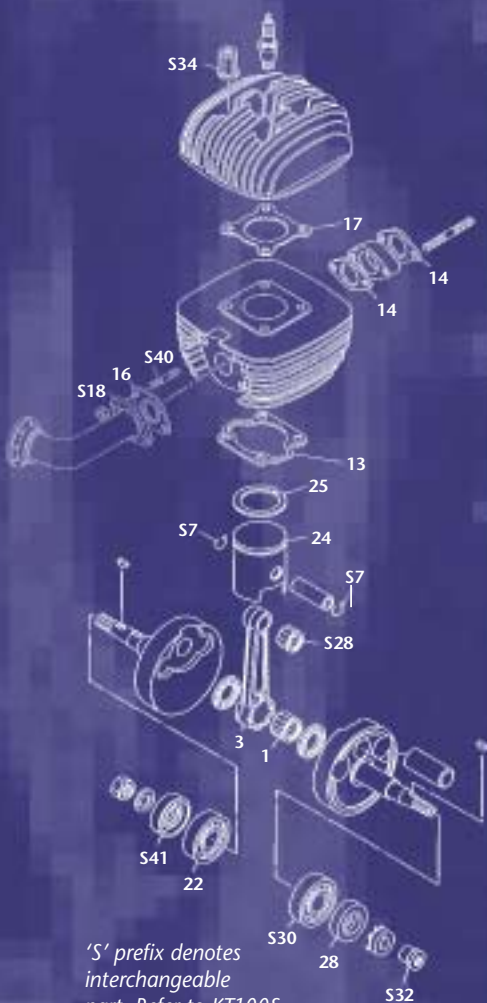


# KARTECH ENGINE PARTS

## Yamaha KT100J

Kartech's range of engine parts includes a wide range for the KT100J engine, as well as many which are interchangeable with the KT100S (see diagram below). As with all Kartech parts, they offer advantages over genuine and other parts in either quality, performance, size range, certification and/or price.

So if you're looking for KT100J parts, look to Kartech first!



'S' prefix denotes interchangeable part. Refer to KT100S section on previous pages.



Numbered parts (in exploded diagrams only) are for easy cross referencing with DPE Price List. Consult Price List for complete listing of product codes, sizes etc.



22 •EJM6204•  
High speed precision bearing

### Main Bearings 530

•ESM6304/9•

Superior bearings containing nine balls which contributes to lower inertia, meaning faster acceleration/deceleration, higher RPM limit and increased load limit. The ultimate main bearing!

### Pistons 24

•EJPK\_\_• KSI  
•EJP\_\_• Yamaha

(Note that numbers indicate size)

Popular brands offering top quality, along with a comprehensive range of sizes from 49.98-50.65 (Yamaha), 50.05-51.00 (KSI).



### Piston Rings 25

•EJRK00• → •EJRK9051• Kartech Teflon Coated  
•EJRKS100• → •EJRKS1953• KSI

(Note that numbers indicate size)

Kartech rings are manufactured to fine tolerance, so end gaps are correct. Available in a wide range of sizes from 50.00-51.00.

### Head Gaskets 17

for quick and easy adjustments of the cylinder head position

•EJGH• 0.3mm  
•EJGH1• 0.1mm  
•EJGH2• 0.2mm



### Cylinder Base Gaskets 13

5 sizes for quick and easy adjustments of the cylinder/head position

•EJGB075• 0.075mm •EJGB1• 0.1mm  
•EJGB2• 0.2mm •EJGB4• 0.4mm  
•EJGB75• 0.75mm

### Carburettor Gaskets 14

•EJGC1•



### 16 Exhaust Gaskets

•EJGE•

Reuseable copper type



### Crankshaft Seals 28

•EJSD• Genuine drive side seal (large)  
•EJSDT• Drive side teflon coated  
•ESSI• Ignition side  
•ESSIT• Ignition side teflon coated



### Genuine Yamaha Conrods 3

•ESCOJ• Crack tested  
•EJCOT• Crack tested, hardness tested & checked for straightness



### 1 Big End Cages

Thompson brand – the brand you can trust

•EJBEK•  
7 per roll

